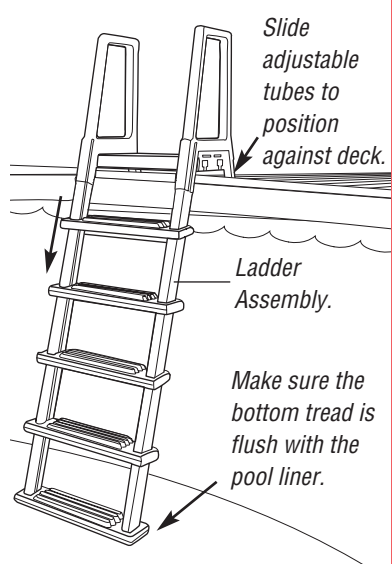


10a. Please refer to the separate instruction sheet for anti-entrapment barrier installation.

Step 11.

Place the ladder in the desired position on the deck and slide the ladder assembly down until the bottom tread meets the pool liner. Slide the adjustable tubes with the mounting blocks as needed to position the ladder correctly on the deck.

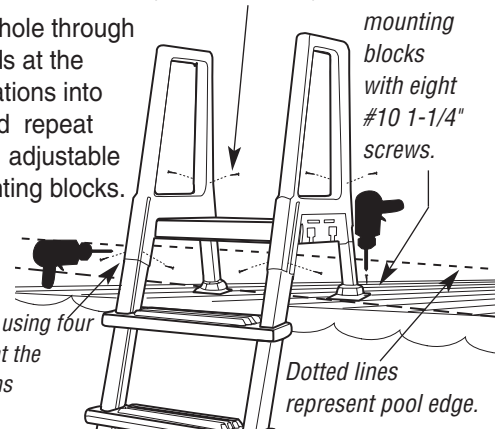


Step 12.

Drill a 1/8" pilot hole through the handrail ends at the pre-marked locations into the stringers and repeat this step for the adjustable tubes and mounting blocks.

Secure the handrail to the tubes using four #10 1-1/4" screws at the pre-marked locations (two per handrail). Using a cordless drill attach the mounting blocks with eight #10 1-1/4" screws.

Secure the handrail using four #10 1-1/4" screws at the pre-marked locations (two per handrail).



Note: To winterize your ladder, remove it from the pool and drain water from stringers and treads.

Extension Kit for #6000 Ladder - Part #6000-EXT - Raises ladder to reach deck heights from 57" to approximately 68". Kit includes two extension boots, one additional ladder tread, hardware and instructions. Order online at www.conferladders.com

SAFETY RULES

- Locate ladder on a solid base
- One person on the ladder at a time
- Ladder **MUST** be installed per manufacturer's instructions
- **DANGER:** No Diving or jumping from ladder
- Face ladder when entering and leaving pool
- To prevent entrapment or drowning, do not swim through, behind or around ladder
- Ladder to be used as a swimming pool ladder only

***DANGER:** Use a cordless drill for assembly and installation. Use extreme caution if using an electric drill near water.



CONFER
plastics inc.

LIMITED, PRO-RATED WARRANTY

Confer Plastics, Inc. warrants their swimming pool ladders to be free from defects in workmanship for one year from date of purchase. After the first year the cost to replace a part is as follows:

<u>MODELS #626B / #726</u>	<u>ALL OTHER MODELS:</u>	
2nd Year - 40%	2nd Year - 20%	} of current parts list price
3rd Year - 80%	3rd Year - 40%	
	4th Year - 60%	
	5th Year - 80%	

Plus shipping/handling charges

DO NOT RETURN DEFECTIVE PART TO DEALER

The defective part should be returned, postpaid, to:
Confer Plastics, Inc.
97 Witmer Road
North Tonawanda
N.Y. 14120 U.S.A.

Enclose proof-of-purchase (receipts, etc.) showing date purchased, your name, address, and daytime phone number. You will be notified of cost to replace part. This warranty gives you specific legal rights, and you may also have other rights which may vary from state to state.

OPTIONAL ACCESSORY

SKIM-IT SKIMS OFF DEBRIS Cut cleaning time 75% with skimmer extension that guides debris directly into your skimmer. Fits most in-ground and above-ground pool skimmers. Corrosion-resistant plastic Skim-It installs in seconds without tools.



MADE IN THE U.S.A. by:

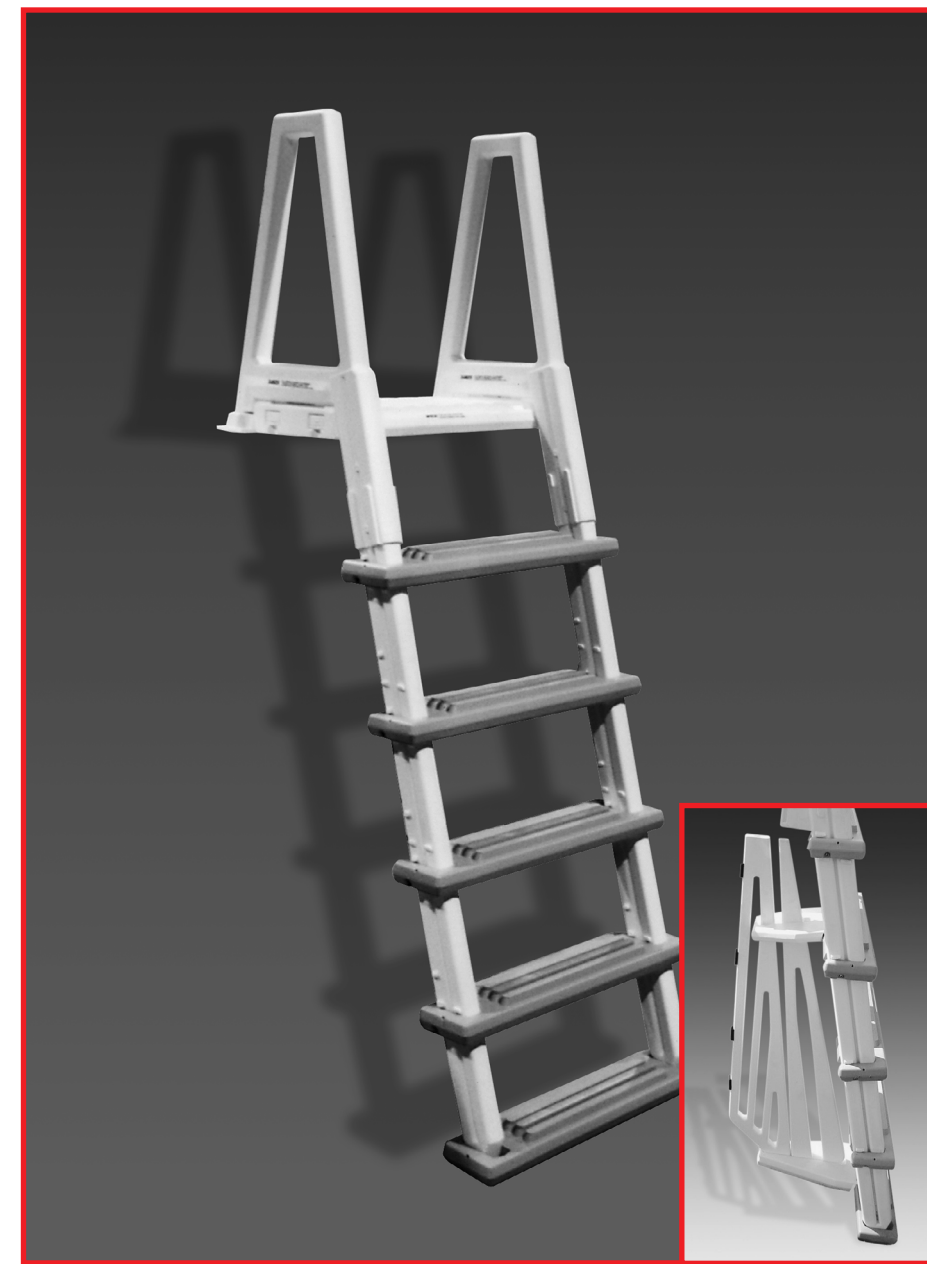


97 Witmer Road
North Tonawanda, New York 14120
Toll Free U.S. 800-635-3213
716-694-3100 / FAX 716-694-3102
www.conferladders.com

SAVE THESE INSTRUCTIONS
DEALER/INSTALLER: GIVE TO HOMEOWNER

MODEL 6000

ADJUSTABLE HEAVY DUTY INPOOL LADDER
42" TO 56"



As required by ANSI/NSPI - This ladder is equipped with an anti-entrapment barrier to prevent children from swimming behind or through the rungs of the ladder. It is NOT intended as a substitute for proper adult supervision.

ASSEMBLY AND INSTALLATION MANUAL

CONFER PLASTICS, INC.

CONFER PLASTICS, INC.

Model 6000 Adjustable Heavy-Duty Inpool Ladder

PARTS LIST

- 2 - Handrail
- 2 - Stringer (Leg)
- 4 - Upper tread
- 1 - Bottom tread
- 1 - Platform
- 2 - Mounting block
- 2 - Adjustable tube

HARDWARE PACK

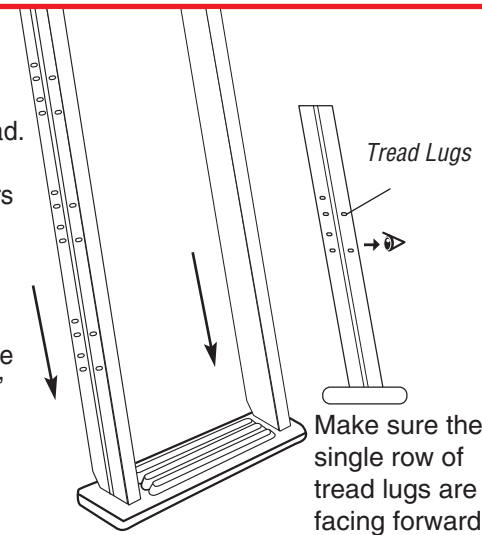
- 26-#10 x 1-1/4" S/S Screw

TOOLS REQUIRED FOR ASSEMBLY:

- Cordless Drill Motor
- 1/8" Drill Bit
- Phillips Screwdriver or screwdriver bits
- Pliers

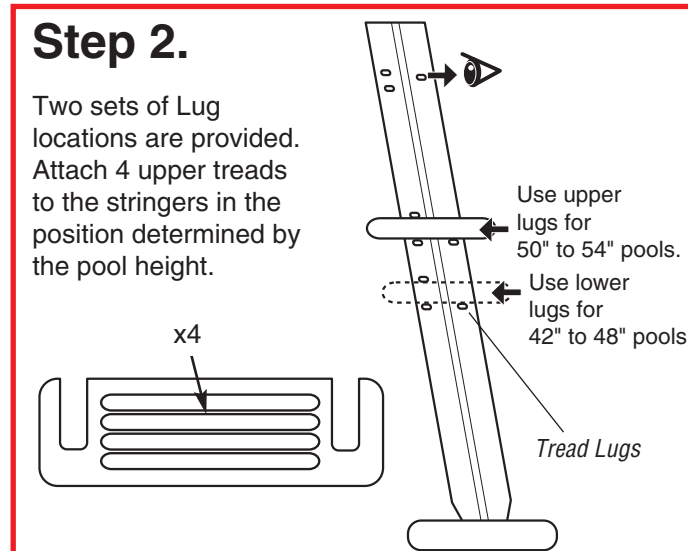
Step 1.

Snap stringers into bottom tread. If necessary lift the two stringers off the ground, with the bottom tread attached, and drop them firmly so that the stringers "snap" into the tread pockets. The bottom tread should pivot freely.



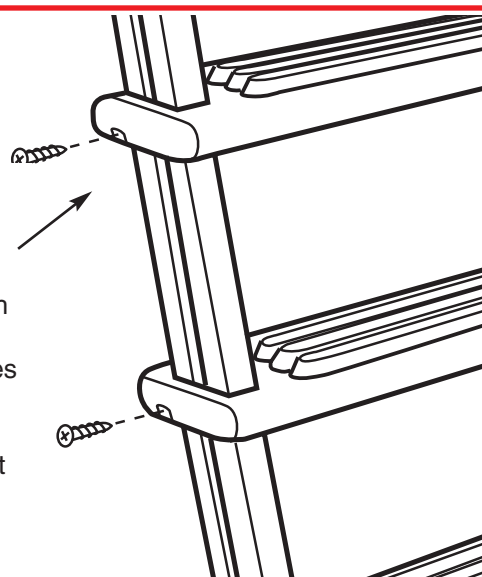
Step 2.

Two sets of Lug locations are provided. Attach 4 upper treads to the stringers in the position determined by the pool height.



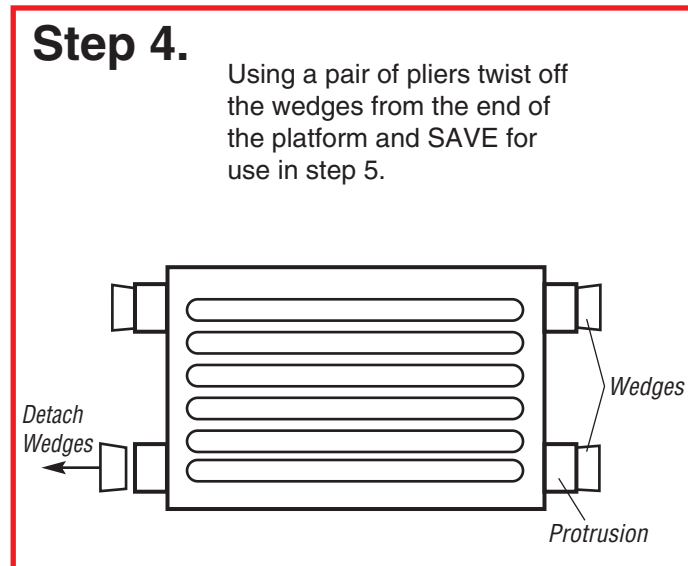
Step 3.

Secure the upper treads by driving #10 x 1-1/4" screws through the recessed, pre-drilled holes in the ends of each tread as shown. Repeat for all 4 upper treads.



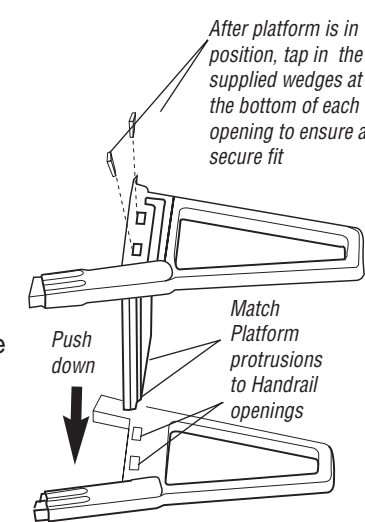
Step 4.

Using a pair of pliers twist off the wedges from the end of the platform and SAVE for use in step 5.



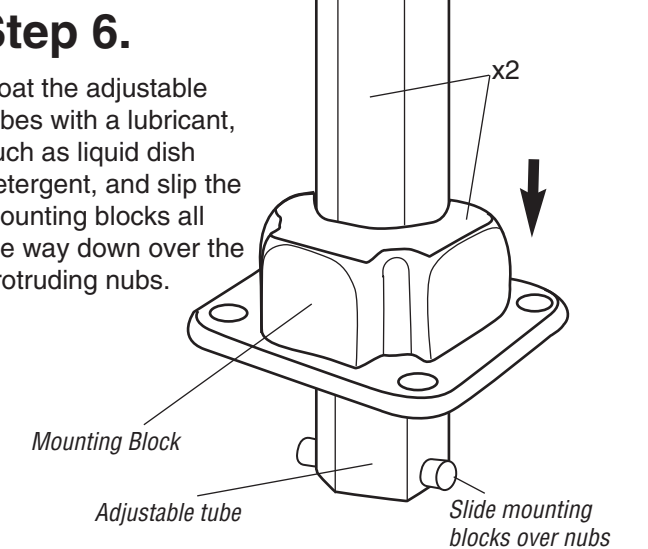
Step 5.

Assemble the platform to the handrails by laying one of the handrails on a clean hard surface. Push the protrusion of the platform into the openings of the handrail making sure that the legs of both handrails are facing in the same direction. Tap the 4 wedges (from step 4) into the sides of the handrails to secure the platform to the rails.



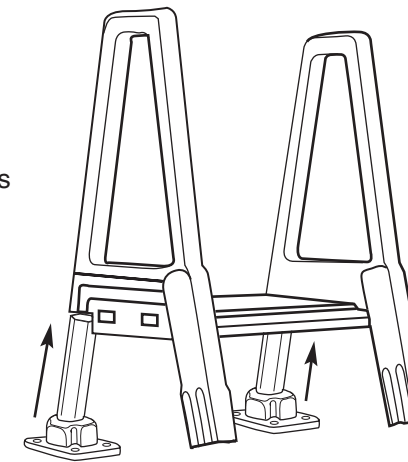
Step 6.

Coat the adjustable tubes with a lubricant, such as liquid dish detergent, and slip the mounting blocks all the way down over the protruding nubs.



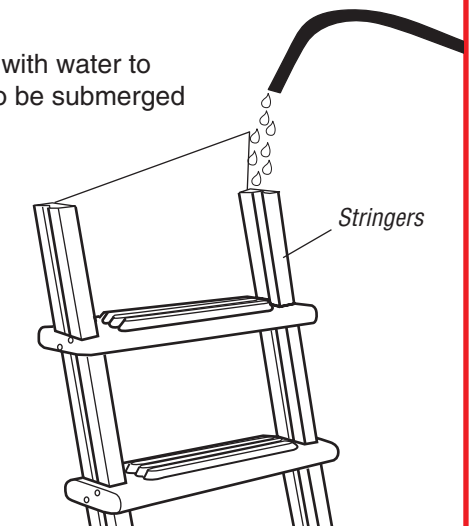
Step 7.

Push the adjustable tubes with mounting blocks into handrails.



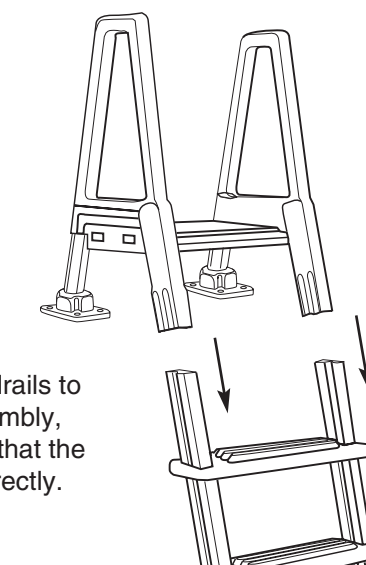
Step 8.

Fill both stringers with water to allow the ladder to be submerged in the pool.



Step 9.

Attach the handrails to the ladder assembly, making certain that the treads face correctly.



Step 10.

Submerge in water and tilt to a 15° angle to allow water to fill the treads.

