

OWNER'S MANUAL



 **Polaris340**

IMPORTANT INFORMATION



Important Information

The Polaris 340 automatic pool cleaner comes ready to connect to a pool skimmer or a 1-1/4" to 2" female pipe fitting on a **dedicated suction line**.

The following are important points to remember when installing and operating the Polaris 340.

- Always disconnect the hose when cleaning or backwashing the pool filter.
- New plumbing lines should be flushed out before installing the Polaris.
- The Polaris should not be used to remove plaster dust in new pools.
- Always remove the Polaris before swimmers enter the pool.
- Always handle the Polaris with care. Do not let children or pets play with the Polaris; it is not a toy.
- Except when checking the wheel RPM, do not handle the Polaris while it is operating.
- Never pick up the Polaris by the hose.
- Always remove the Polaris from the pool before chemical shock treatments. As a general rule, any pool water that is unsafe for swimming is unsafe for the Polaris.
- Carefully adjust the length of the hose following the instructions on page 6.

By following these simple guidelines, you can help protect against injury and prolong the life of your Polaris 340.

Before the Polaris is installed, please take a moment to record the serial number. For the location of the serial number, refer to the Exploded Parts Diagram on page 14. You will be asked for this number when contacting our Customer Service Department.

Serial # P _____

WARNING: USE OF POLARIS 340 IN A VINYL LINER POOL


Certain vinyl liner patterns are particularly susceptible to rapid surface wear or pattern removal caused by a variety of objects coming into contact with the vinyl surface, including pool brushes, pool toys, floats, fountains, chlorine dispensers, and automatic pool cleaners. Some vinyl liner patterns can be seriously scratched or abraded simply by rubbing the surface with a pool brush. Ink from the pattern can also rub off during the installation process or when it comes into contact with objects in the pool. Polaris is not responsible for, and the Limited Warranty does not cover, pattern removal, abrasion or markings on a vinyl liner.

Table of Contents

I. Introduction	3
II. Installation Instructions	4
A. Polaris 340 Components	4
B. Identifying the Type of Pool Connection	4
C. Installing in a Dedicated Suction Line	4
D. Identifying the Type of Pool Skimmer	5
E. Installing with Multiple Skimmers	5
F. Installing in a Single Skimmer	6
G. Connecting the Hose	6
H. Adjusting the Suction Hose	6
I. Adjusting the Water Flow	7
J. Checking the Wheel RPM	8
III. Operation and Maintenance	10
A. What to Expect from Your Polaris 340	10
B. Disconnecting the Polaris	10
C. Turning On/Off the Polaris	10
D. Emptying the Pump Basket	10
E. Periodic Maintenance	10
1. Tires	10
2. Bottom Plate	10
3. Flow Regulator	10
4. Pool Filtration Pump	10
F. Storage and Winterizing	10
G. Accessories	11
1. UniCover	11
2. Ladder Guard Kit	11
3. WaterStars and WaterStars WF	11
4. SpaWand	11
5. LCS	11
6. Revolve-it	11
7. Ground Clearance Kit	11
IV. Troubleshooting	12
A. Problems and Solutions	12
B. Troubleshooting Worksheet	13
Exploded Parts Diagram	14
Warranty	16

I. Introduction

Congratulations on the purchase of your new automatic pool cleaner and thank you for choosing a Polaris 340. The Polaris 340 is designed to give you years of dependable and efficient service. With the Polaris 340, you and your family will spend more time enjoying your pool and less time cleaning it.

The Polaris 340 has been built with the finest materials available. It is backed by the Polaris limited warranty that protects against defects in parts and workmanship (see the warranty on page 16). Always insist on **genuine Polaris replacement parts**. You can be sure you are buying genuine Polaris parts if they come in Polaris part bags or have the Polaris logo  on them. Non-Polaris parts are not made to our specifications. They may have an adverse effect

on the operation of the Polaris or may even damage it. If you are unable to find genuine Polaris parts in your area, contact us at 1-800-VAC-SWEEP (USA and Canada only) or (760) 599-9600 to receive the name of the participating Polaris dealer nearest you.

The numbers in parentheses found throughout the manual refer to the index numbers in the Exploded Parts Diagram on pages 14-15. There are also part numbers listed in parentheses to help identify the replacement parts available at your participating Polaris dealer.

→ *Look for this symbol throughout the owner's manual for helpful hints in the use of your new Polaris 340.*

Once again, thank you for choosing a Polaris.

II. Installation Instructions

A. Polaris 340 Components

The Polaris 340 box contains (the numbers below refer to the Exploded Parts Diagram on pages 14-15):

- Cleaner Head
- 13 Hose Sections, 43 ft.
 - One Leader Hose (#28) with Hose Weight (#27)
 - One Standard Hose (#26) with Hose Weight (#27)
 - 11 Standard Hose Sections (#26)
- Flow Indicator (#29)
- Flow Regulator (#23)
- Universal Adapter (#22)
- 90-degree Elbow (#25)
- 45-degree Elbow (#24)

Please Note: Before installing the Polaris 340, verify that the pool filter and pump basket are clean.

➔ After cleaning the pool filter, record the filter pressure here for future reference: _____ psi
We recommend cleaning the pool filter when the pressure is 5-10 psi above the number recorded here.

B. Identifying the Type of Pool Connection

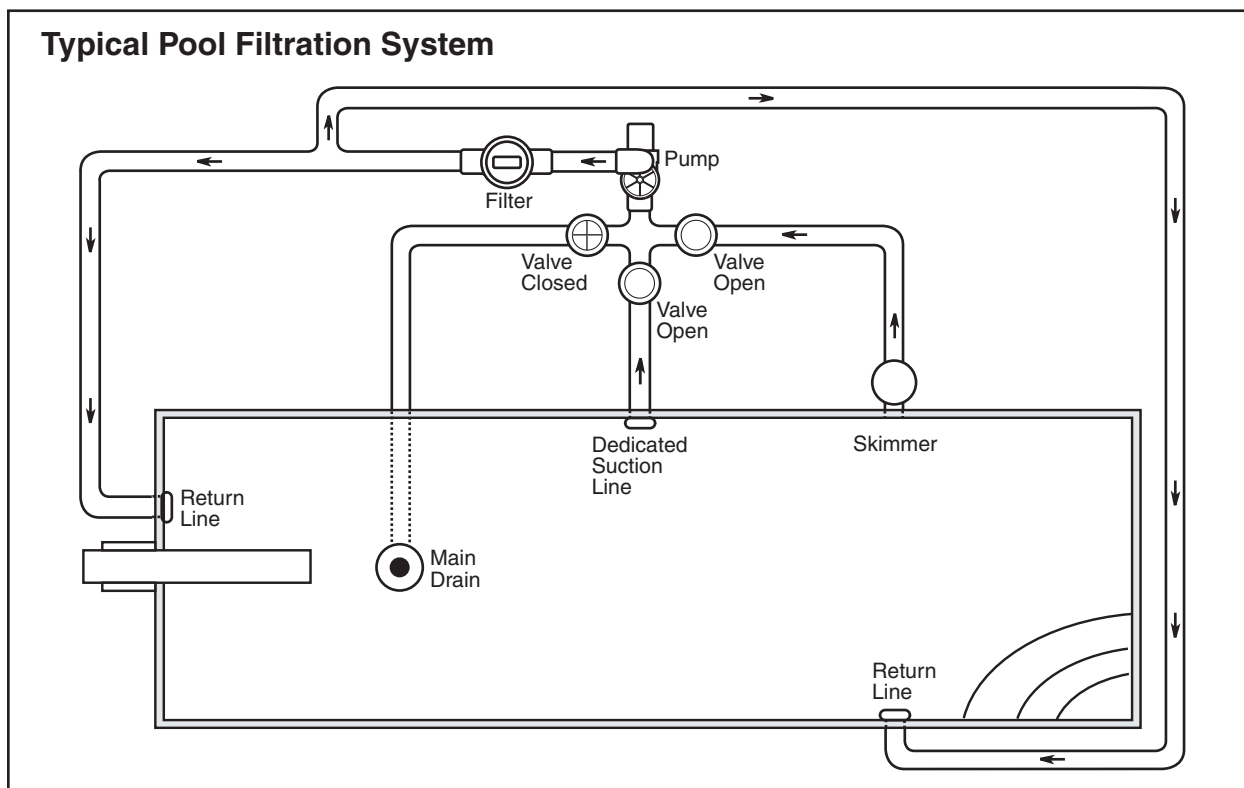
The Polaris 340 comes equipped to connect to a dedicated suction line or a pool skimmer. We recommend the Polaris be installed on the dedicated suction line if one is present.

A dedicated suction line is a 1-1/4" to 2" suction line, usually located between 6" to 12" below the water's surface in the center of the longest pool wall. If there is not one present, refer to section D.

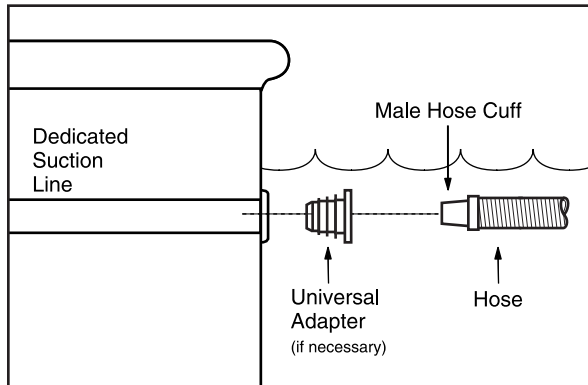
C. Installing in a Dedicated Suction Line

1. Turn off the pool pump.
2. If the suction line opening is not covered by a safety vacuum fitting, install the universal adapter. If a safety fitting is present, it is not necessary to install the universal adapter.

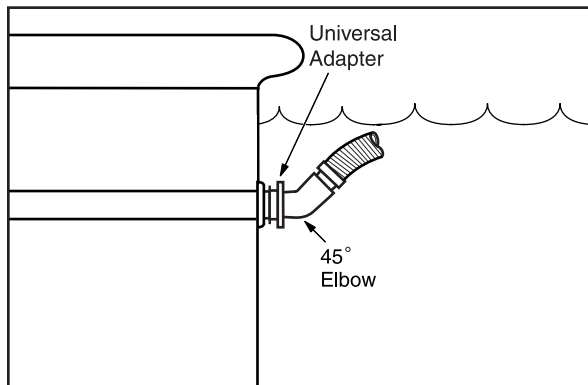
➔ If your dedicated suction line does not have a safety vacuum fitting, we recommend that you contact your local Polaris dealer to see if one is required in your area.



3. Attach the male hose cuff on the end of one hose section without weights to the dedicated suction line (or the universal adapter if used).



→ A 45° elbow (#20) angled upward can be used to prevent hose tangling if the dedicated suction line is not too near the water surface.



4. Skip to Section G on page 6.

D. Identifying the Type of Pool Skimmer

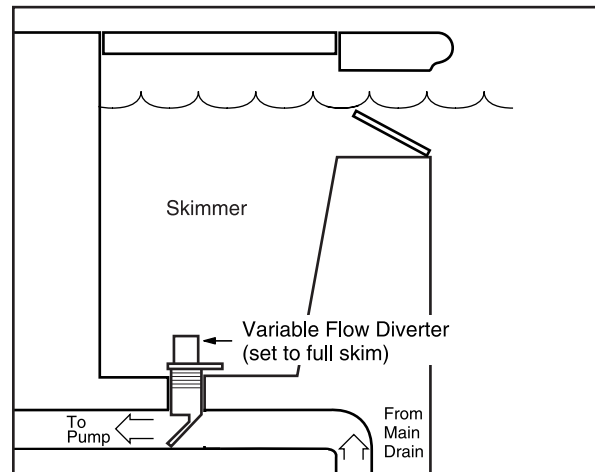
Skimmers can vary greatly depending on the design of the pool. Some of the most common skimmer setups are outlined below.

If the skimmer differs from the ones described, please contact our Customer Service Department at 1-800-VAC-SWEEP.

1. **If the pool has more than one skimmer:** Refer to Section E.
2. **If the pool has only one skimmer:**
 - a. Turn off the pool pump.
 - b. Turn off the flow from the main drain and all other suction lines except the skimmer.
 - c. Remove the skimmer cover, basket and any other valves, floats or covers.

- d. Verify the number of openings at the bottom of the skimmer.

- **Two openings:** Refer to Section F on page 6.
- **One opening:** Skimmers with only one opening (suction line) in the bottom, may also have a diverter valve installed to control the water flow between the skimmer and the main drain. If there is a diverter valve present, adjust it to the full skimming setting and refer to Sec-



tion F on page 6.

Please Note: After installation, if the movement of the cleaner hose causes the diverter valve to turn or if you cannot achieve enough water flow with the diverter installed, contact your local Polaris dealer.

E. Installing with Multiple Skimmers

1. Turn off the pool pump.
2. The Polaris should be attached to the skimmer nearest the center of the longest pool wall. If there are two skimmers near the center of the longest pool wall, choose the one closest to the pool equipment.
3. Turn off the flow to all the skimmers, except the one to which the Polaris will be connected. If the pool is not equipped with a valve that allows independent flow to each skimmer, block the flow at the suction line.

Remove the skimmer cover, basket and any other valves, floats or covers on each of the skimmers that will not be used and block the flow. It may be necessary to obtain a 1-1/2"

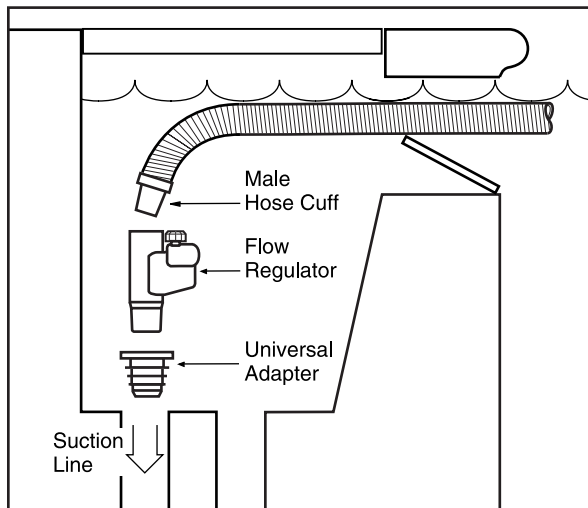
to 2" plug from your local Polaris dealer.

- Once the unused skimmers are blocked, remove the same items from the skimmer to which the Polaris will be connected.

F. Installing in a Single Skimmer

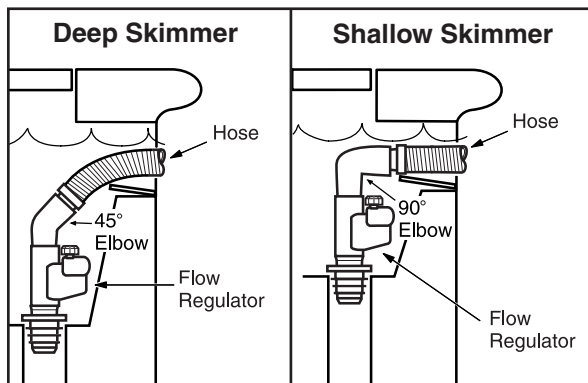
- Push the universal adapter (#18) into the suction line in the bottom of the skimmer.

→ *If two openings (suction line and main drain line) are visible, the suction line is usually the one that is farthest away from the edge*



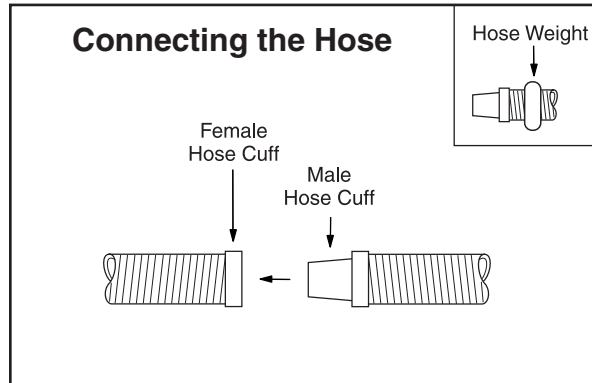
of the pool.

- Insert the flow regulator (#19) into the universal adapter.
- Feed the male end of one hose section without weights through the skimmer opening and attach it to the flow regulator.
- Use the 45° elbow for deep skimmers and the 90° elbow for shallow skimmers to prevent the hose from kinking.



G. Connecting the Hose

- Set aside the leader hose with the hose weight and the standard hose with the hose weight.
- Connect the remaining standard hose sec-

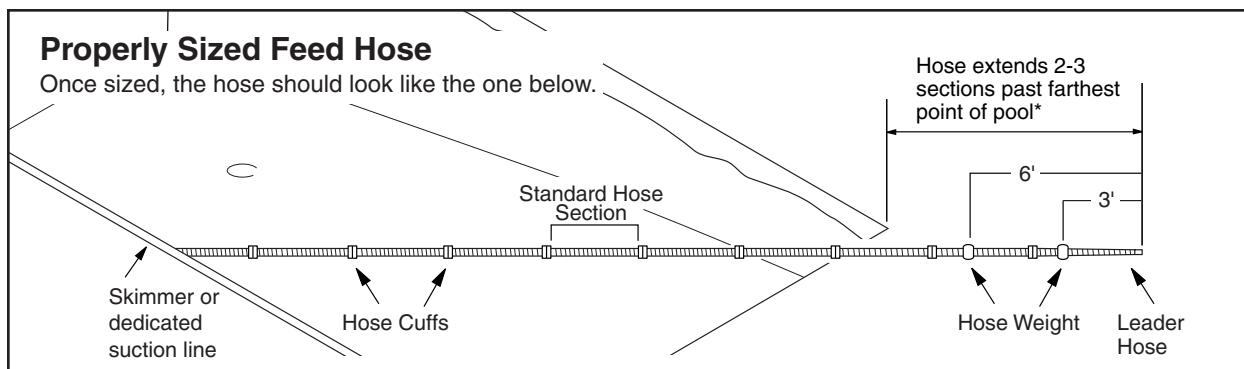


tions by pushing the hose cuffs as close together as possible.

- Connect the standard hose section with hose weight to the female hose cuff on the end of the hose.
 - Attach the leader hose (#28) to the female hose cuff on the end of the hose. The leader hose will be the one that connects to the Polaris.
- *It is important to always lay the hose straight and flat when it is not in the pool.*
- Connect the assembled hose sections to the single hose section attached to the dedicated suction line or skimmer.

H. Adjusting the Suction Hose

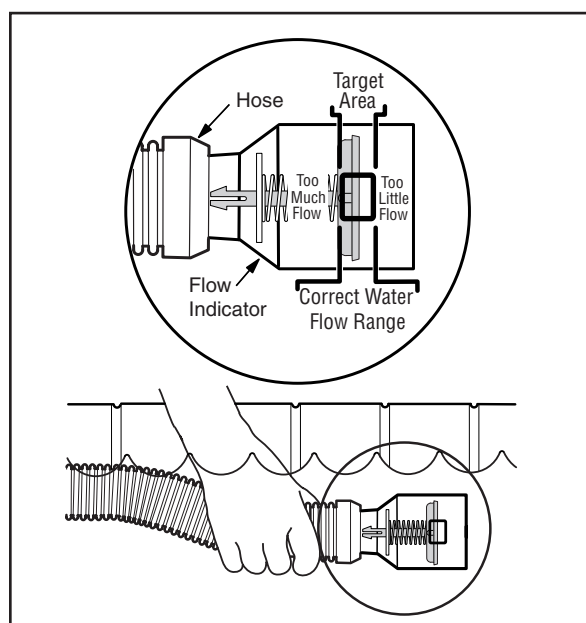
- Pull the free end of the hose to the farthest point of the pool. The hose should extend between 2 to 3 hose sections past the farthest point of the pool.
 - If the hose extends more than 3 hose sections, remove the excess hose sections from the middle of the hose.
 - If the hose does not extend at least 2 hose sections past the farthest point of the pool, additional standard hose sections will be necessary (part #5-5500).



***Please Note:** This illustration does not necessarily represent the farthest point for every pool. You must determine where the farthest point is in your pool.

2. Adjust the hose weights to the corresponding pool depth.
 - a. **If the pool is more than 5 feet deep,** position one hose weight (#27) approximately three feet from the Polaris and the other weight approximately six feet from the Polaris.
 - b. **If the pool is less than 5 feet deep,** only one hose weight (#27) is necessary. Slide the extra weight off the leader hose (#28). Position the remaining weight on the standard hose approximately four feet from the Polaris.
3. When the hose has been properly sized, it should look like the one above.
4. Detach the hose and flow regulator (#19), if used. Fill the hose completely with water, then reattach the flow regulator and hose.

→ To fill the hose, turn on the pool pump. Hold the opening of the hose in front of the return line until water exits the other end of the hose. Turn off the pool pump. **NOTE:** It is important that the hose remains below the surface of the water after it is filled to prevent air from entering the hose. If this is not possible during connection, leave the weighted end of the hose in the water and place your hand over the male hose cuff while moving the hose.



I. Adjusting the Water Flow

For proper operation, the Polaris 340 must receive the correct amount of water flow. Checking the pool's available water flow with the flow indicator (#29) will determine if there is enough flow, or if an initial adjustment is required.

1. Fill the hose completely with water (see tip above).

2. Connect the flow indicator (#29) to the leader hose (#28).
3. Hold the flow indicator underwater and turn on the pump. This step may require two people.
4. The target area on the flow indicator represents the correct water flow range for the Polaris 340. While holding the flow indicator underwater, verify that the indicator is within the target area.
 - a. **If the indicator is in the correct range:**
Skip to Section J on page 8.
 - b. **If the indicator is within the area marked "too little flow":**
 - Verify the filter and pump basket are clean.

- Verify all suction lines are closed except the one to which the Polaris is connected.
- Check the hoses to ensure the cuffs are pushed together as close as possible.
- Check the hose sections for any leaks.
- **For dedicated suction line installations**, adjust the valve at the equipment area that controls the water flow to the dedicated suction line until the indicator is within the target area.

→ *Once the correct water flow is obtained, mark the direction of the valves at the equipment area for easy reinstallation.*

- **For skimmer installations**, turn the knob on the flow regulator (#23) clockwise until the indicator is within the target area.

c. **If the indicator is within the area marked “too much flow”:**

- **For dedicated suction line installations**, adjust the valve at the equipment area that controls the water flow to the dedicated suction line until the indicator is within the target area.
- **For skimmer installations**, turn the knob on the flow regulator (#23) counterclockwise, until the indicator is within the target area. If the knob is turned all the way counterclockwise and the RPM is above 34, open the main drain (or a second skimmer if available) until the indicator is within the target area.

Please Note: *If the above suggestions do not work, contact your local Polaris dealer or our Customer Service Department at 1-800-VAC-SWEEP (USA and Canada only) or (760) 599-9600.*

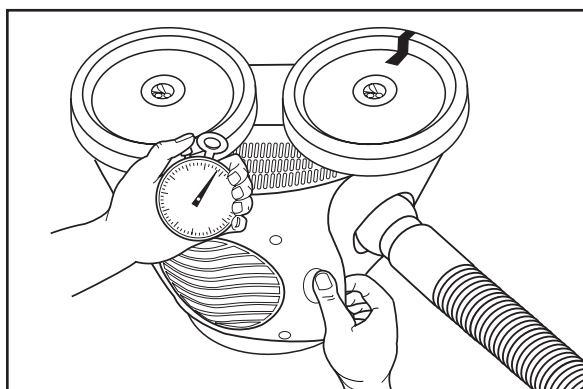
5. Turn off the pump. Hold the hose underwater and remove the flow indicator. Submerge the Polaris in the pool. Remove any air in the cleaner by rotating it in all directions while underwater. Connect the Polaris to the hose.

J. Checking the Wheel RPM

To fine tune the amount of water flow to the Polaris 340, it is necessary to check the cleaner's wheel Revolutions Per Minute (RPM). For proper

operation, the RPM should be between 30 to 34.

1. Hold the Polaris underwater and mark the outer edge of a tire.
2. Keep the Polaris underwater and turn on the pump.
3. Hold the Polaris by the handle at the back of the cleaner **below the water level**. Watch the wheels on the Polaris. As soon as they all begin turning in a forward direction, count the revolutions of the marked wheel for exactly one minute. The cleaner's wheel



RPM should be **between 30 and 34 RPM**.

→ *If the cleaner goes into a back-up cycle during the count; stop counting. Wait until all the wheels are turning forward and begin again.*

If the Polaris is operating below 30 RPM:

- Verify all suction lines are closed except the one to which the Polaris is connected.
- Check the hoses to ensure the cuffs are pushed together as close as possible.
- For dedicated suction line installations, adjust the valve at the equipment area between skimmer flow and dedicated suction flow until the correct wheel RPM is reached.

→ *Once the correct water flow is obtained, mark the direction of the valves at the equipment area for easy installation after swimming.*

- For skimmer installations, push in the knob on the flow regulator (#23) and turn it clockwise until the proper wheel RPM is reached. Pull the knob to lock it into the new position.
- Verify the filter and pump basket are clean.

If the Polaris is operating above 34 RPM:

- For dedicated suction line installations, adjust the valve at the equipment area between skimmer flow and dedicated suction flow until the correct wheel RPM is reached.
- For skimmer installations, push in the knob on the flow regulator (#23), and turn it counterclockwise until the proper wheel RPM are reached. Pull the knob to lock it into the new position. If the knob is turned all the way counterclockwise and the RPM is above 34, open the main drain (or a second skimmer if available) until the correct wheel RPM is reached.

III. Operation and Maintenance

Please Note: If the above suggestions do not work, contact your local Polaris dealer or our Customer Service Department at 1-800-VAC-SWEEP (USA and Canada only) or (760) 599-9600.

A. What to Expect from Your Polaris 340

When operating correctly, the Polaris should travel randomly throughout the pool. The climbing ability of the Polaris is dependent on the pool's shape and available water flow. It will climb better in pools without sharp angles or curves in the transition from the pool floor to the pool wall.

The Polaris travels in both forward and reverse directions to increase its randomness and help avoid potential obstacles. The Polaris will travel faster in forward than in reverse.

B. Disconnecting the Polaris

1. Turn off the pump.
2. Disconnect the hose and adapters from the skimmer or dedicated suction line. If the cleaner was installed on a dedicated suction line, mark the valve position and **turn off the water flow through the dedicated suction line.**
3. Remove the hose and cleaner from the pool.

Please Note: When reinstalling the Polaris 340, always fill the hose with water.

C. Turning On/Off the Polaris

The Polaris 340 operates on the suction side of the pool filtration system and can be turned on/off by simply turning on/off the filtration pump. The Polaris will operate during the same time cycle as the pool filtration pump.

D. Emptying the Pump Basket

It is important to empty the pump basket on a regular basis so the Polaris can operate at its optimum efficiency. The more debris in the pool, the more often the pump basket should be checked.

→ If you have a large amount of debris in your pool (i.e. after a storm), you can run the Polaris in two shorter cycles per day and empty the pump basket between the cycles.

E. Periodic Maintenance

1. Tires (#8)

The tires (part #5-4005) provide traction and protect both the Polaris and the bottom of the pool. Replace the tires as they become worn. Note: Tires are a wear item and are not covered under warranty.

2. Bottom Plate (#21)

The bottom plate (part #5-3000) helps the Polaris to travel over sharp corners or high spots on the pool surface. Periodically check the bottom plate for wear and replace as necessary. Note: Bottom plates are a wear item and are not covered under warranty.

3. Flow Regulator (#23)

Periodically check the inlet in the flow regulator and clear out any debris.

4. Pool Filtration Pump

We recommend regular cleaning of the pool filter to keep the Polaris operating at maximum efficiency.

→ After cleaning the pool filter, record the filter pressure here for future reference: _____psi
We recommend cleaning the pool filter when the pressure is 5-10 psi above the number recorded here.

For dedicated suction line installations, periodically check the wheel RPM as the pool filter becomes dirty. If the wheel RPM falls below 30, adjust the valve at the equipment between skimmer flow and dedicated suction flow until the proper wheel RPM is reached.

F. Storage and Winterizing

Never store the Polaris in direct sunlight. Remove the Polaris from the pool and drain all the water from the Polaris before storing for the winter. Also, remove any connectors and adapters from the skimmer or dedicated suction line. Do not store in an area where freezing could occur.

Freeze damage is not covered under warranty.

When storing the hose, do not coil it. Disconnect the hose sections, drain them and **lay them straight** in an area out of direct sunlight.

G. Accessories

1. UniCover (Part #5820)

The UniCover fits over most raised anti-vortex main drain covers to create a surface for pool cleaners to travel over with ease.

2. Ladder Guard Kit (Part #G-21)

The ladder guard kit will help prevent the Polaris from getting stuck around pool ladders or handrails.

3. WaterStars (Part #7-400-00) and WaterStars WF (Part #11-100-00)

These fountains transform your pool into a lovely showcase for special events. Choose between the WaterStars fountain, which floats anywhere you place it in the pool, and the WaterStars WF fountain which mounts at the pool return line.

4. SpaWand (Part #5-100-00)

This simple, effective hand-cleaning device allows you to rapidly clean your spa or pool steps without hoses or hookups. It's also great for fish ponds and other small bodies of water.

5. LCS (Leaf Canister and Skimmer) (Part #5810)

The Polaris LCS increases the skimming efficiency by traveling on the surface gathering debris. It also captures the debris collected by the 140 to virtually eliminate the need to clean the pump basket.

6. Revolve-it (Part #5800)

With its unique turning action, the Revolve-it extends the life of the 140 hose and prevents permanent coils from forming.

7. Ground Clearance Kit (Part #5-3500)

The Polaris 340 Ground Clearance Kit increases clearance for your cleaner to easily accommodate irregular surfaces or sharp convexes on pool bottoms. Allows easy installation within minutes using minimal tools.

IV. Troubleshooting

For best results, follow the troubleshooting solutions in the order they are listed below. The numbers in parenthesis refer to the Exploded Parts Diagram on pages 14-15.

A. Problems and Solutions

Problem: Polaris hangs up on steps or other pool obstacles for longer than 5 minutes.

- Solution:**
1. Check the wheel RPM. See page 8.
 2. Hold the cleaner below the surface of the water. All the wheels should turn backwards approximately every 1-1/2 minutes.
 3. Remove unnecessary pool hardware or install a ladder guard kit (part #G-21). See page 10.

Problem: Polaris is sluggish, running with less power than normal.

- Solution:**
1. Check the wheel RPM. See page 8.
 2. Verify that the pump basket is empty.
 3. If the filter pressure is 5-10 psi above the operating pressure after the filter has been cleaned (see page 4), backwash the filter.
 4. Remove the top housing (#3). Verify that the propeller (#4) is free of debris.
 5. Remove the bottom plate (#21) and verify that the turbine is free of debris.

Problem: Polaris appears to get stuck repeatedly at the water line.

- Solution:**
1. Check the wheel RPM. See page 8.
 2. Verify the flow regulator (#23) is clear of debris.
 3. Reposition the hose weights back to 6 feet and 12 feet from the cleaner head.

Problem: Polaris “wheelies” or pulls severely to one side.

- Solution:**
1. Check the wheel RPM. See page 8.

2. Verify that the swivel (#19) at the rear of the cleaner turns freely.

3. Remove the top housing (#3). Verify that the propeller (#4) is free of debris.

4. Verify that the weights are positioned correctly. See number 10 on page 7.

Problem: Hose becomes tangled.

- Solution:**
1. Check the wheel RPM. See page 8.
 2. Verify that the hose is the correct length and the hose weights (#27) are positioned properly. See page 6.
 3. Hold the cleaner below the surface of the water. All the wheels should turn backwards approximately every 1-1/2 minutes.
 4. If the Polaris is installed on a dedicated suction line, attach the 45-degree elbow to the universal adapter. Angle it upward and attach the hose.

Problem: Air bubbles come out of the return line during operation.

- Solution:**
1. Check the wheel RPM. See page 8.
 2. Verify that all the hose connections are secure.
 3. Verify that all the skimmer connections and adapters are secure.
 4. Contact your local pool dealer.

Problem: Polaris is not moving.

- Solution:**
1. Remove the bottom plate (#21) and verify that the turbine is free of debris.
 2. Remove the top housing (#3). Verify that the propeller (#4) is free of debris.
 3. Verify that the cleaner flow is in the correct operating range with your flow indicator. If it is low, check the following:
 - a. Verify that the pump basket is empty.

- b. If the filter pressure is 5-10 psi above the clean operating pressure, backwash or clean your filter.
 - c. Ensure your 340 is securely hooked up to your skimmer or dedicated suction line.
 - d. Adjust the flow regulator, or the dedicated suction line valve in the equipment area, until you are in the correct operating range.
Recheck the wheel RPM once you have obtained the proper water flow for the 340. See page 8.
4. Remove lower housing (#20).
Ensure belts are on and properly tensioned.

B. Troubleshooting Worksheet

If the troubleshooting solutions did not correct the problem, please fill in the following information and either contact your local Polaris dealer or our Customer Service Department at 1-800-VAC-SWEEP (USA and Canada only) or (760) 599-9600, Monday through Friday, 7:30 a.m. – 5:00 p.m. PST.

In order to provide faster and more convenient service, have the following information available at the time of the call or when taking the Polaris in for service.

1. **Serial #:** _____

See page 14.

2. **Wheel RPM:** _____

See page 8.

3. **Is the Polaris backing-up?**

Watch the wheels. They should all turn backwards approximately every 1-1/2 minutes.

Yes No

4. **Is the hose the proper length?**

See page 6.

Yes No

How many hose sections are used? _____

How many hose sections extend past the farthest point of the pool? _____

5. **Is the swivel (#19) on the cleaner rotating freely?**

Yes No

6. **What is the filter pressure?**

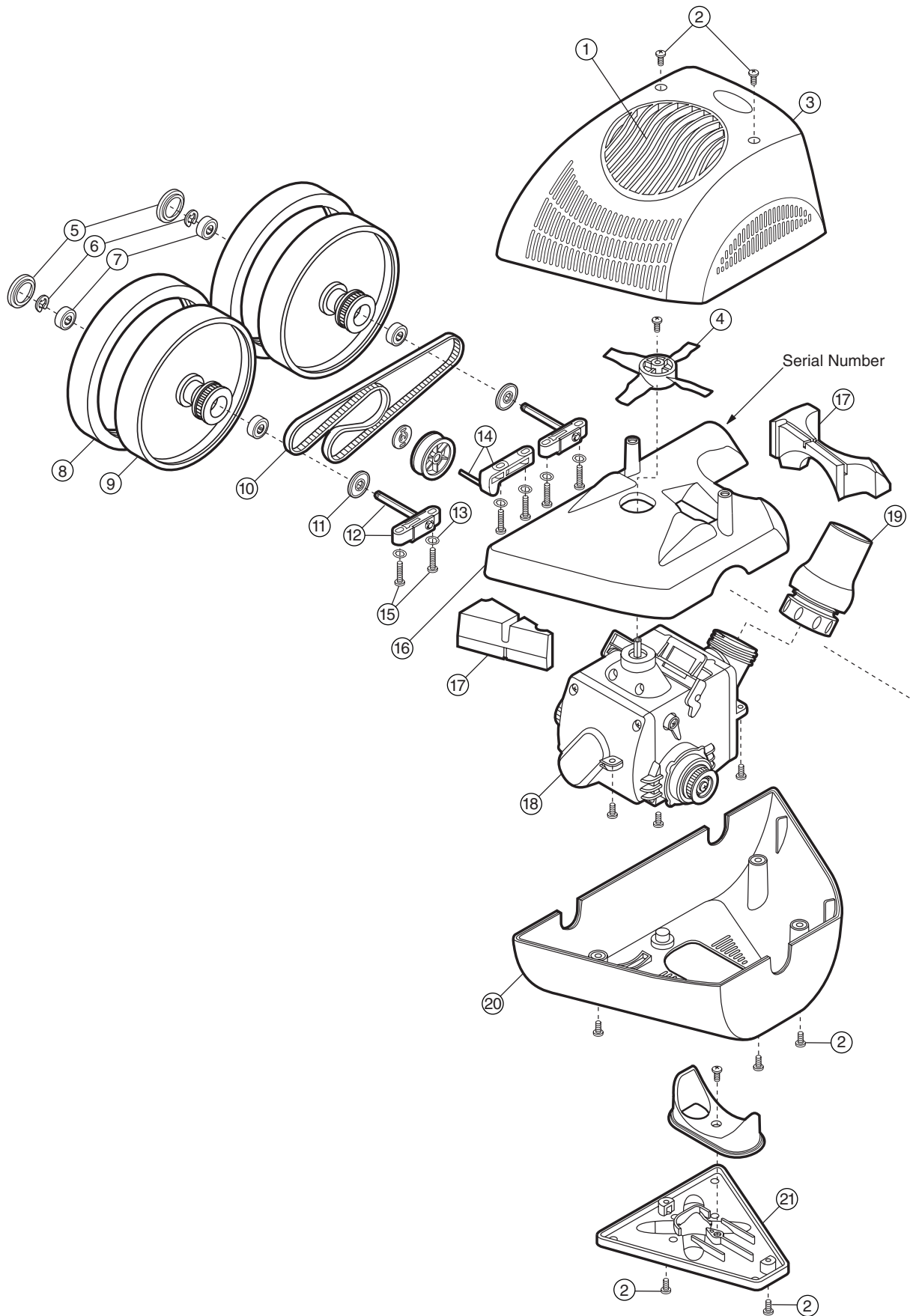
Now _____ psi

Just after cleaning _____ psi

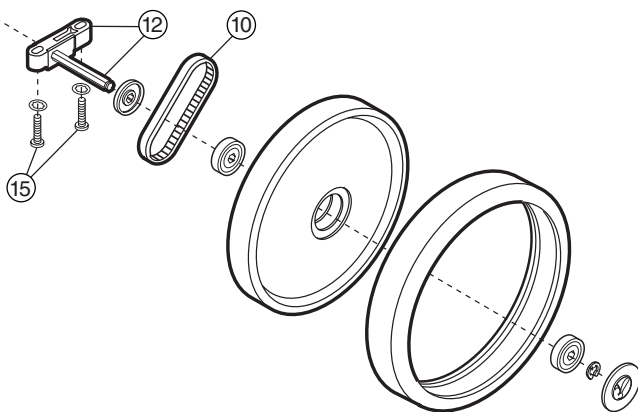
See page 4.

When was the last time it was cleaned?

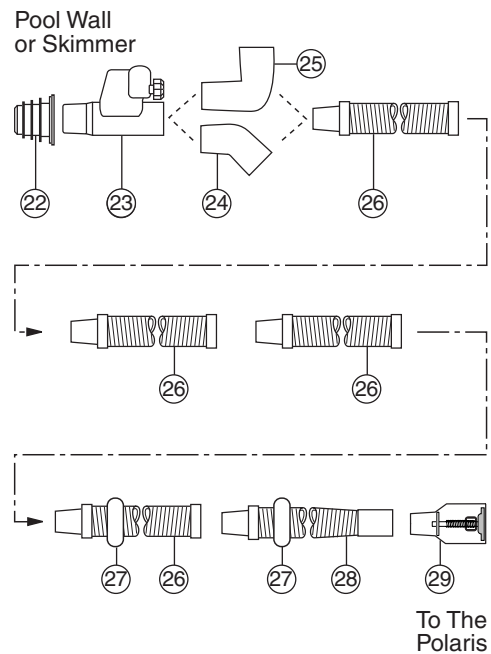
- 1-2 months
- 3-5 months
- Over 6 months



No.	Part #	Description	Qty
1	5-2005	Propeller Grid	1
2	9-100-5117	Screw, 8-32 x 3/8" SS Pan Hd	12
3	5-2000	Top Housing Assembly	1
4	5-6000	Propeller	1
5	9-100-1114	Hub Cap	3
6	9-100-5107	E-clip, Stainless Steel	7
7	9-100-1108	Ball Bearing	6
8	5-4005	Tire, MaxTrax™, White	3
9	5-4000	Wheel Assembly	3
10	5-5200	Belt Kit, Small and Large	1
11	9-100-7011	Shield, Bearing	3
12	5-4500	Axle Block Assembly, 340	3
13	9-100-5130	Lock Washer, Axle Block	8
14	5-1010	Belt Tension Block	1
15	9-100-5115	Screw, 8-32 x 3/4" SS Pan Hd	8
16	5-1000	Frame, Exchange Only	1
17	5-2010	Flotation, Top, Front and Rear	1
18	5-5000	Power Module Assembly	1
19	5-5060	Swivel Assembly	1
20	5-2050	Bottom Housing, White	1
21	5-3000	Bottom Plate	1
22	5-7100	Universal Adapter	1
23	5-7000	Flow Regulator	1
24	5-7250	Elbow, 45-degree	1
25	5-7200	Elbow, 90-degree	1
26	5-5500	Suction Hose Kit (12 standard Sections, 1 Leader Hose)	1
27	5-7300	Hose Weight	2
28	*	Suction Hose, Leader (incl. in part #5-5500)	1
29	5-7050	Flow Indicator	1
Parts Not Shown			
	5820	UniCover, White	
	5-4006	Tire, Kraton®	
	5-5505	Bulk Leader Hose (14 sections)	
	5-5600	Bulk Standard Hose (28 sections, 39" each)	



To insure proper operation and long life for the Polaris, be sure to insist on genuine Polaris parts.



Limited Warranty Polaris 340 Automatic Swimming Pool Cleaner

This limited warranty is extended to the original consumer purchaser of this Polaris 340 Automatic Swimming Pool Cleaner manufactured by Polaris Pool Systems, Inc., 2620 Commerce Way, Vista, California 92083-8438, U.S.A.

Polaris warrants the cleaning unit it manufactures, including all parts and components thereof, to be free of defects in material and workmanship. We do not cover tires, bottom plates, belts, or bearings which have been worn out by use. These are normal replacement items. We do not cover improper installation of the Polaris 340. The instruction manual should be read in its entirety before the installation of the Polaris 340. All installation instructions should be carefully followed. Failure to follow the installation instructions may void this warranty. If you have any questions regarding your Polaris 340, please feel free to call or write us. Be sure to include the serial number, which can be located under the handle on the rear of the frame of your unit.

EXAMPLE: P 1 2 3 4 5 6

The Polaris 340 frame is warranted for a period of five years. The rest of the Polaris 340 parts are warranted for a period of one year from date of manufacture of the unit as established by the serial number, or one year from date of purchase with proof of purchase, whichever is later.

This limited warranty does not apply if the failure is caused or contributed to by any of the following: improper handling, improper usage, improper storage, winter freezing, abuse, improper installation, unsuitable application of the unit, improper maintenance, lack of reasonable and necessary maintenance, damage in transit or during installation, or damage from repairs/alterations made or attempted by anyone other than Polaris or one of its Authorized Service Centers. Polaris will repair or replace, at its option, a unit or part proved to be defective within the warranty period and under the conditions of the warranty.

In order to make a claim under this warranty, the consumer must deliver or ship the unit or warranty parts freight prepaid to the nearest Polaris Authorized Service Center or return it freight prepaid (after proper authorization) to the plant of manufacture. Authorization to return a unit or part to the plant of manufacture must be obtained from the Polaris Customer Service Department. Check with your dealer for the local procedure before exercising this warranty. If further directions or instructions should be required, contact the Customer Service Department at 1-800-VAC-SWEEP (USA and Canada only) or (760) 599-9600. Be sure you insure your shipments against loss or damage in transit.

Polaris is not responsible for the cost of removal of the unit or parts, damages during or due to removal, any other expenses incurred in shipping the unit or parts to or from the factory or its Authorized Service Centers, or damages during the installation of the repaired or replacement unit. The consumer must bear these expenses.

This warranty does not cover repair or replacement of a unit or part except at our plant of manufacture or a Polaris Authorized Service Center. This warranty does not cover pattern removal, abrasion or markings on a vinyl liner.

THIS LIMITED WARRANTY IS IN LIEU OF ALL OTHER WARRANTIES, EXPRESS OR IMPLIED, INCLUDING THE IMPLIED WARRANTIES OF MERCHANTABILITY AND FITNESS FOR A PARTICULAR PURPOSE, AND ALL SUCH OTHER WARRANTIES ARE DISCLAIMED EXCEPT TO THE EXTENT ANY IMPLIED WARRANTY MAY BE IMPOSED BY STATE CONSUMER LAW. ANY SUCH IMPLIED WARRANTY IMPOSED BY STATE CONSUMER LAW IS LIMITED IN DURATION TO ONE (1) YEAR FROM THE DATE OF PURCHASE.

IN NO EVENT SHALL POLARIS BE LIABLE FOR INCIDENTAL OR CONSEQUENTIAL DAMAGES OF ANY NATURE OR KIND OR FOR DAMAGES TO PERSONS OR PROPERTY, INCLUDING ANY DAMAGES RESULTING FROM THE USE OF THE POLARIS 340 AUTOMATIC POOL CLEANER WITH A SUBSTANDARD POOL CIRCULATION SYSTEM.

Some states do not allow limitation on how long an implied warranty lasts, or the exclusion or limitation of incidental or consequential damages, so the above limitations may not apply to you.

This limited warranty is valid only in the United States of America, Canada and Australia, and it does not apply to Polaris 340 Automatic Swimming Pool Cleaners sold or installed in any other country.



USA: 2620 Commerce Way, Vista, CA 92083-8438 • 760-599-9600 • 1-800-VAC-SWEEP (USA and Canada only)

Florida Warehouse: 10453 Tillery Road, Spring Hill, FL 34608

Australia: Unit 18, 1-7 Short Street, Chatswood, NSW 2067 • 02-9882-1111 • ACN 080 168 092

Europe: C/Osona s/n. (Pol. Ind. El Ramassar), 08520 Les Franqueses del Vallés, Barcelona, Spain • +34 93 840 25 85

www.polarispool.com